



## *Mounting Boxes*



Electrophoretically coated back boxes provide a durable and long lasting heavy duty finish to the Metal Clad range of products.

## Mounting Boxes

### Product Range

#### Mounting Boxes

<b>CL083</b>	1 Gang Mounting Box (40mm Deep)
<b>CL084</b>	2 Gang Mounting Box (40mm Deep)
<b>CL085</b>	1 Gang Mounting Box (40mm Deep without knockouts)
<b>CL086</b>	2 Gang Mounting Box (40mm Deep without knockouts)



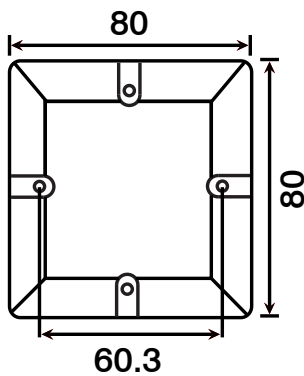
CL083, CL085



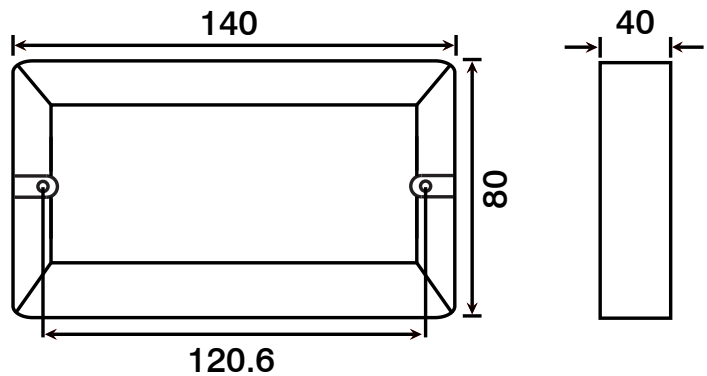
CL084, CL086

### Product Dimensional Drawings (mm)

CL083, CL085



CL084, CL086



Errors & Omissions excluded. Specification is subject to change without notice. All Metal Clad Mounting Boxes are supplied 40mm as standard.

V1.0

Scolmore International Ltd, 1 Scolmore Park, Landsberg, Lichfield Road Ind. Estate, Tamworth, Staffordshire, B79 7XB

**Telephone:** 01827 63454

**E-mail:** sales@scolmore.com, technical@scolmore.com

**Facsimile:** 01827 63362

**Website:** www.scolmore.com

## Mounting Boxes

### Technical Specification

#### Mounting Boxes

<b>Material Composition</b>	Front Plate & Back Box: Electrophoretically Coated Steel Earth Terminal: Brass
<b>Back Box Depth</b>	40mm Supplied
<b>Knockout Size</b>	20mm (CL083 & CL084)
<b>Warranty</b>	10 Years
<b>IP Rating</b>	IP20
<b>Operational Temperature</b>	-5° to +40°C
<b>Standards</b>	BS 5733 : 2010 + A1 : 2014

#### Additional Information

Ensure that the mains supply is isolated before commencing installation and refer to the circuit diagram with the relevant product.

Bare earth cables must always be covered with appropriate sleeving and wired to the earth terminal.

## DECLARATION OF CONFORMITY

1. *Issuer Name* Scolmore International Limited
2. *Issuer Address* 1 Scolmore Park, Landsberg,  
Lichfield Road Industrial Estate,  
Tamworth, Staffordshire, B79 7XB
3. *Object(s) of Declaration* Metal Clad Range
  - a. *Group* Mounting Boxes
  - b. *Model No.* CL083, CL084, CL085, CL086
4. *The object of the declaration described above is in conformity with the requirements of the following Legislations:*
5. *All products contained within the aforementioned comply with the relevant standards and requirements listed below.*

BS 5733 : 2010 + A1 : 2014

6. *I hereby declare that the equipment named above has been designed to comply with the relevant sections of the above referenced specifications. The unit complies with all applicable Essential Requirements of the Directives.*

*In conjunction with the above all manufacture and process controls are in accordance with ISO 9001:2008*

Signed, for and on behalf of: Scolmore International Limited



Steven Bettson BSc - Senior Technical Support Engineer

# CE 15